



Channel Drains 2012

PRODUCT GUIDE:
suggested list price book

EFFECTIVE MARCH 1, 2012

**NEW & IMPROVED
DESIGN FOR EASIER
INSTALLATION**

IAPMO LISTED



PATENT PENDING

JACLO®

Confidence from start to finish.®

800.852.3906 • orders@jaclo.com

Barrier
Free
ADA Compliant



FINISHES

Standard Stock Finishes



Brushed Stainless Steel
BSS



Polished Stainless Steel
PSS

JACLO®

Confidence from start to finish.™

Non-Stock Finishes (Call for pricing and delivery)



Black Nickel
BKN



Bronze Umber
BU



Matte Black
MBK



Oil-Rubbed Bronze
ORB



Polished Brass
PB



Polished Gold
PG



Satin Brass
SB



Satin Gold
SG



Sedona Beige
SDB



White
WH

JACLO'S FINISHES BLEND WITH & COMPLIMENT:

- The JACLO Polished Gold™ finish blends with and complements Vibrant® Moderne Polished Gold
- The JACLO Satin Gold™ finish blends with and complements Vibrant® Moderne Brushed Gold
- The JACLO Bronze Umber™ finish blends with and complements Vibrant® Brushed Bronze

* Vibrant® is a federally registered trademark owned by the Kohler Co. for its brand of finish. There is no affiliation, license, sponsorship, or connection between JACLO and/or its products and the Kohler Co. or its products. JACLO's use of the Vibrant® mark is solely for purposes of product comparison.

HOW TO ORDER

HOW TO ORDER COMPLETE WITH GRATE

1. Select outlet style (**bottom or side**) and drain length (**24", 32", 36", 42", 48", 60"**):



Bottom outlet (872)



Side outlet (862)

2. Select grate style and finish (**same length as body**):

ORDERING EXAMPLE

To order item shown to right:

Bottom outlet style (872), (36") drain length
Line grate style (6220), (36") in (Polished Stainless Steel)

1. Order Body: 87236-PSS and
2. Order Grate: 6220-36-PSS



PROUD TO BE AN AMERICAN COMPANY WITH OVER FIFTY YEARS OF EXCELLENCE



CARE INSTRUCTIONS

In order to maintain the high quality finish of **JACLO** products, please adhere to the following product care instructions:

Cleaning JACLO products: For routine cleaning simply use a soft damp cloth and common household soap, then rinse and dry. Proper care of your product is important because most water contains calcium that deposits on surfaces, forming unpleasant spots. This can be avoided by routine cleaning and drying after every use. Use only mild soap based detergents.

Never use abrasive cleaners, bleach, disinfectants or cleaning products containing alcohol, ammonia, hydrochloric or phosphoric acids as they will damage the product finish.

Please note:

Your product warranty may not be valid if the above cleaning guidelines are not followed.

The use of water softeners, which are loaded with salt, will destroy any finish in time. Use of water softeners void all warranties.

WARRANTY

Residential Warranty

Your new plumbing fixture is warranted by:

JACLO INDUSTRIES, 129 Dermody Street, Cranford, NJ 07016. This warranty is extended to original consumer purchasers only. This warranty gives you specific legal rights, and you may also have other rights which vary from state to state.

The product (including the finish on the product but excluding our **Un-Lacquered Brass** and any installation hardware not supplied by **JACLO**) is warranted to be free from defects in material or workmanship under normal use and service for the lifetime* of the fixture, so long as the original consumer purchaser owns it. **JACLO's** sole obligation under this or any other warranty is limited to repairing or replacing at JACLO's option, without labor, any part or parts of the fixture which fall to conform to such warranty.

JACLO WILL NOT BE LIABLE FOR ANY CONSEQUENTIAL OR INCIDENTAL DAMAGES CAUSED BY A BREACH OF THIS OR ANY OTHER WARRANTY.

Some states do not allow the exclusion or limitation of incidental or consequential damages, so the above limitation may not apply to you.

In order to secure warranty performance, the original consumer purchaser must (a) have the fixture properly and professionally (where applicable) installed in accordance with all plumbing codes and installation instructions, (b) not subject the fixture to abuse, misuse or alter in any way and (c) remove the fixture and return it to **JACLO**, together with a brief description of the defect.

JACLO does not authorize any distributor, retailer or other person to modify this warranty or assume any liability on its behalf with respect to it. Any question regarding the operation of warranty should be addressed to **JACLO's** warranty department.

* Due to the unpredictable environment, all kitchen drains, strainers and garbage disposal flanges are warranted for the period of one year from date of purchase from an authorized JACLO dealer.

Commercial Warranty

JACLO extends the above warranty for a period of one year from date of purchase to purchasers of products for industrial, commercial, business and all non-private residential uses.

JACLO RETURN POLICY

All returns must be accompanied by a JACLO Return Goods Authorization (RGA). Please contact JACLO customer service for return authorization. Once the product(s) are returned they will be subject to inspection by the JACLO returns department. Pending the results of the inspection final disposition may be one of the following:

- Full credit, i.e. Manufacturer Defect (Please see Limited Lifetime Warranty), Shipped in error and is in a resell condition
- Credit with a minimum 25% restocking fee, All other circumstances
- No credit, Product returned cannot be resold in its **current** condition and does not fall under **JACLO's** warranty

All returned items declared "No Credit" will be disposed of after 30 days from date of receipt by **JACLO**. All custom items are subject to final sale and cannot be returned for credit.

CHANGES IN DESIGN

The Company is constantly striving to effect improvements in its products. This may require that changes be made from time to time with respect to the design of its products. Therefore, the Company reserves the right to affect reasonable changes of any kind without notice and to deliver revised products in fulfillment of any accepted order unless this right is specifically waived on the face of the Consumer's Acknowledgement.

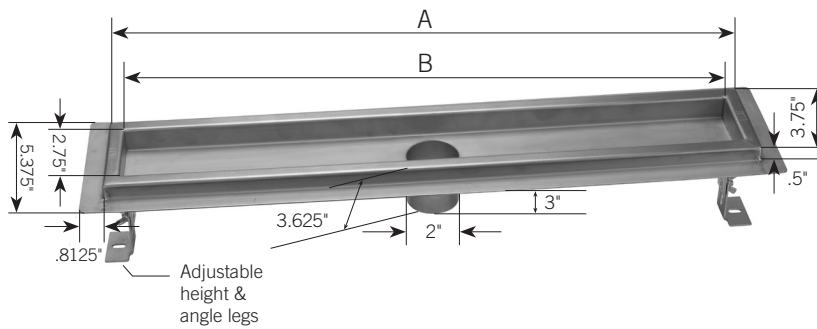
JACLO prides itself in striving for design excellence and is a member of these fine industry trade associations.

NEWH



SHOWER CHANNEL DRAINS – Patent Pending BODY ONLY. GRATES SOLD SEPARATELY

BOTTOM OUTLET SHOWER CHANNEL BODY ONLY

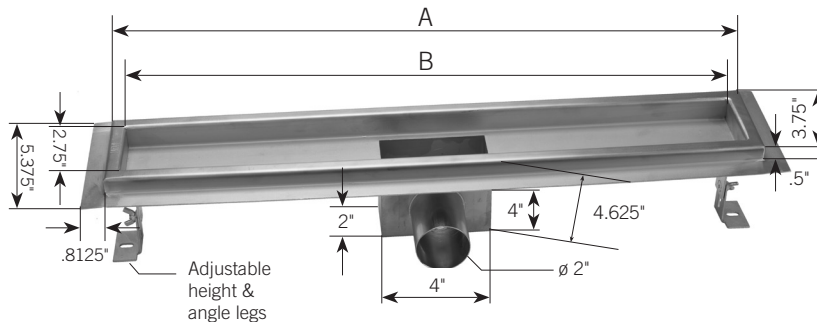


NOMINAL SIZE	A	B
24-	23½	22½
32-	31½	30½
36-	35½	34½
42-	41½	40½
48-	47½	46½
60-	59½	58½

ITEM	NOMINAL SIZE	BSS	PSS
87224-	24"	\$240.00	\$310.00
87232-	32"	\$260.00	\$375.00
87236-	36"	\$270.00	\$405.00
87242-	42"	\$285.00	\$465.00
87248-	48"	\$295.00	\$505.00
87260-	60"	\$390.00	\$645.00

- 304 stainless steel construction
- 2" bottom outlet
- Complete with adjustable legs for ease of installation
- Use of sub drain may be required

SIDE OUTLET SHOWER CHANNEL BODY ONLY



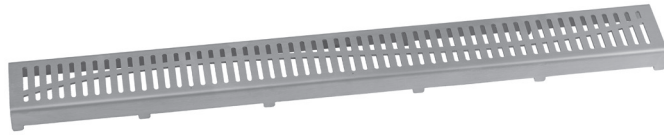
NOMINAL SIZE	A	B
24-	23½	22½
32-	31½	30½
36-	35½	34½
42-	41½	40½
48-	47½	46½
60-	59½	58½

ITEM	NOMINAL SIZE	BSS	PSS
86224-	24"	\$240.00	\$310.00
86232-	32"	\$260.00	\$375.00
86236-	36"	\$270.00	\$405.00
86242-	42"	\$285.00	\$465.00
86248-	48"	\$295.00	\$505.00
86260-	60"	\$390.00	\$645.00

- 304 stainless steel construction
- 2" side outlet
- Complete with adjustable legs for ease of installation
- Excellent for concrete slab application

SHOWER CHANNEL DRAINS – Patent Pending GRATES ONLY. BODY SOLD SEPARATELY

SLOTTED GRATE ONLY

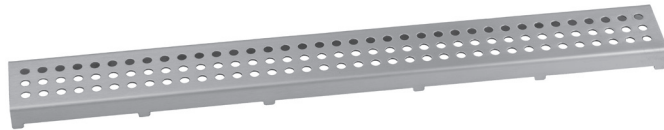


Key included to remove grate for easy cleaning

ITEM	NOMINAL SIZE	BSS	PSS
6210-24-	24"	\$140.00	\$345.00
6210-32-	32"	\$180.00	\$352.00
6210-36-	36"	\$200.00	\$360.00
6210-42-	42"	\$250.00	\$435.00
6210-48-	48"	\$265.00	\$475.00
6210-60-	60"	\$325.00	\$585.00

- 304 stainless steel construction

DOTTED GRATE ONLY

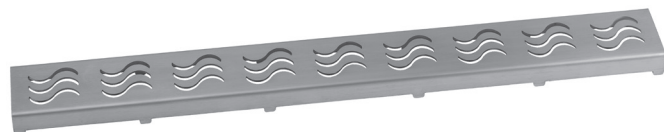


Key included to remove grate for easy cleaning

ITEM	NOMINAL SIZE	BSS	PSS
6212-24-	24"	\$68.00	\$165.00
6212-32-	32"	\$81.00	\$205.00
6212-36-	36"	\$88.00	\$230.00
6212-42-	42"	\$110.00	\$275.00
6212-48-	48"	\$120.00	\$295.00
6212-60-	60"	\$135.00	\$370.00

- 304 stainless steel construction

WAVE GRATE ONLY



Key included to remove grate for easy cleaning

ITEM	NOMINAL SIZE	BSS	PSS
6216-24-	24"	\$95.00	\$195.00
6216-32-	32"	\$115.00	\$245.00
6216-36-	36"	\$130.00	\$280.00
6216-42-	42"	\$165.00	\$335.00
6216-48-	48"	\$180.00	\$370.00
6216-60-	60"	\$230.00	\$475.00

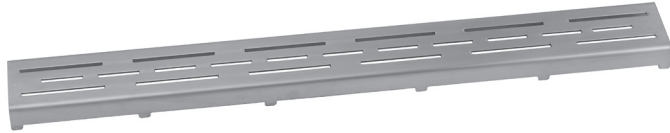
- 304 stainless steel construction

SHOWER CHANNEL DRAINS & SUB DRAINS – Patent Pending

GRATES ONLY. BODY SOLD SEPARATELY



LINE GRATE ONLY

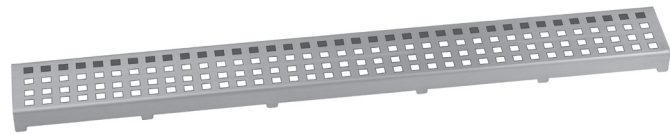


Key included to remove grate for easy cleaning

ITEM	NOMINAL SIZE	BSS	PSS
6220-24-	24"	\$70.00	\$165.00
6220-32-	32"	\$85.00	\$210.00
6220-36-	36"	\$90.00	\$235.00
6220-42-	42"	\$110.00	\$275.00
6220-48-	48"	\$120.00	\$295.00
6220-60-	60"	\$140.00	\$370.00

- 304 stainless steel construction

SQUARE GRATE ONLY

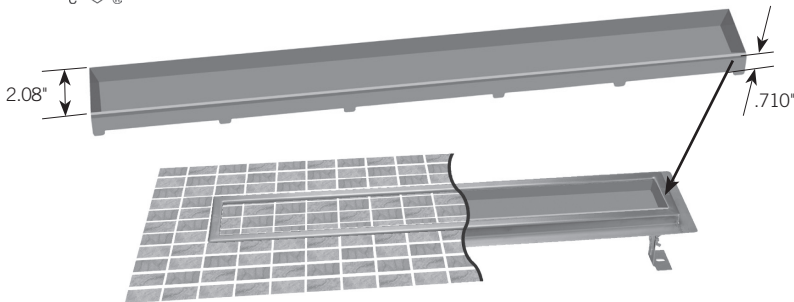


Key included to remove grate for easy cleaning

ITEM	NOMINAL SIZE	BSS	PSS
6222-24-	24"	\$68.00	\$165.00
6222-32-	32"	\$81.00	\$205.00
6222-36-	36"	\$88.00	\$230.00
6222-42-	42"	\$110.00	\$275.00
6222-48-	48"	\$120.00	\$295.00
6222-60-	60"	\$135.00	\$370.00

- 304 stainless steel construction

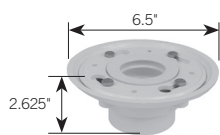
TILE GRATE TRAY ONLY (TILES NOT INCLUDED)



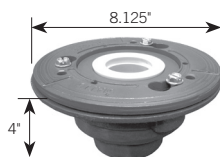
ITEM	NOMINAL SIZE	BSS
6226-24-	24"	\$68.00
6226-32-	32"	\$75.00
6226-36-	36"	\$83.00
6226-42-	42"	\$88.00
6226-48-	48"	\$106.00
6226-60-	60"	\$129.00

- 304 stainless steel construction
- **Empty vessel** - insert your own tiles (TILES NOT INCLUDED) SEE ILLUSTRATION TO LEFT FOR EXAMPLE

PVC & CAST IRON SUB DRAINS



PVC

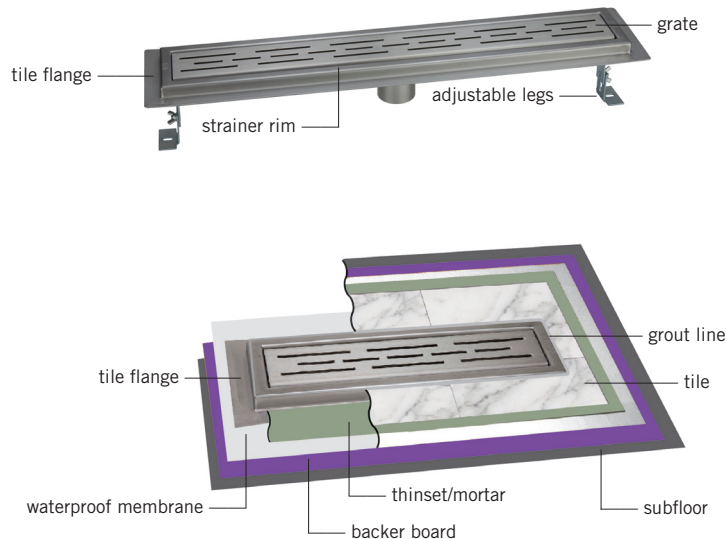


CAST IRON

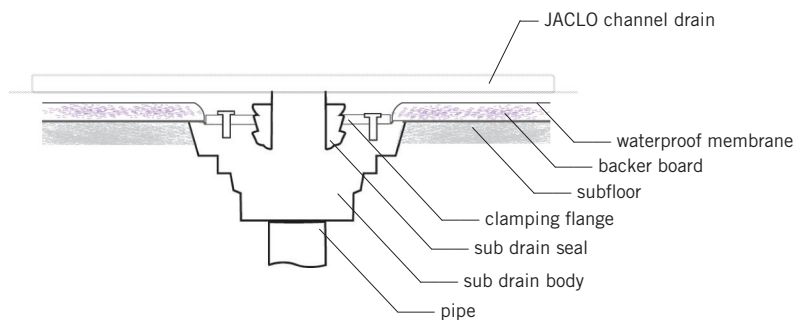
ITEM	SPECIFICS	PVC	CAST IRON
88220-RGH	2" PVC	\$50.00	
88222-RGH	2" No Hub Cast Iron		\$125.00
88223-RGH	3" No Hub Cast Iron		\$125.00
88224-RGH	4" No Hub Cast Iron		\$125.00

- Use JACLO sub drain when needed

INSTALLATION INSTRUCTIONS WITH SUB DRAIN



SUB DRAIN DETAIL



- Determine installed location of channel drain, piping and sub drain.
- Install sub drain body with suitable support and connect outlet to pipe work.
- Install subfloor. There are many options at this juncture, follow local codes and subfloor manufacturers recommendations. Allow for correct slope, thin set and tile height.
- Install waterproof membrane. An approved membrane, such as (Chloraloy 240®) is required. Cut membrane to reveal drain bolt heads and outlet.
- Install clamping flange.
- Lubricate channel drain outlet with a liquid soap and press into sub drain seal to correct height and position
- Adjust legs to desired height and tighten wing nuts
- Install suitable tile base on top of the membrane mortar, backer board, etc. There are many options at this juncture, follow local codes and tile base manufacturers recommendations. Allow for correct slope, thin set and tile height.
- Tile height + thin set mortar height must equal 1/2". This is the fixed rim height above the tile flange. Adjust thin set amount to achieve this dimension.
- Apply thin set mortar, tile leaving a space for the grout line
- Apply grout
- Install channel drain grate

Offering the most diverse product line in the industry, including:



SHOWER SPECIALTIES



FAUCETS



GRAB BARS & HANDLES



ACCESSORIES

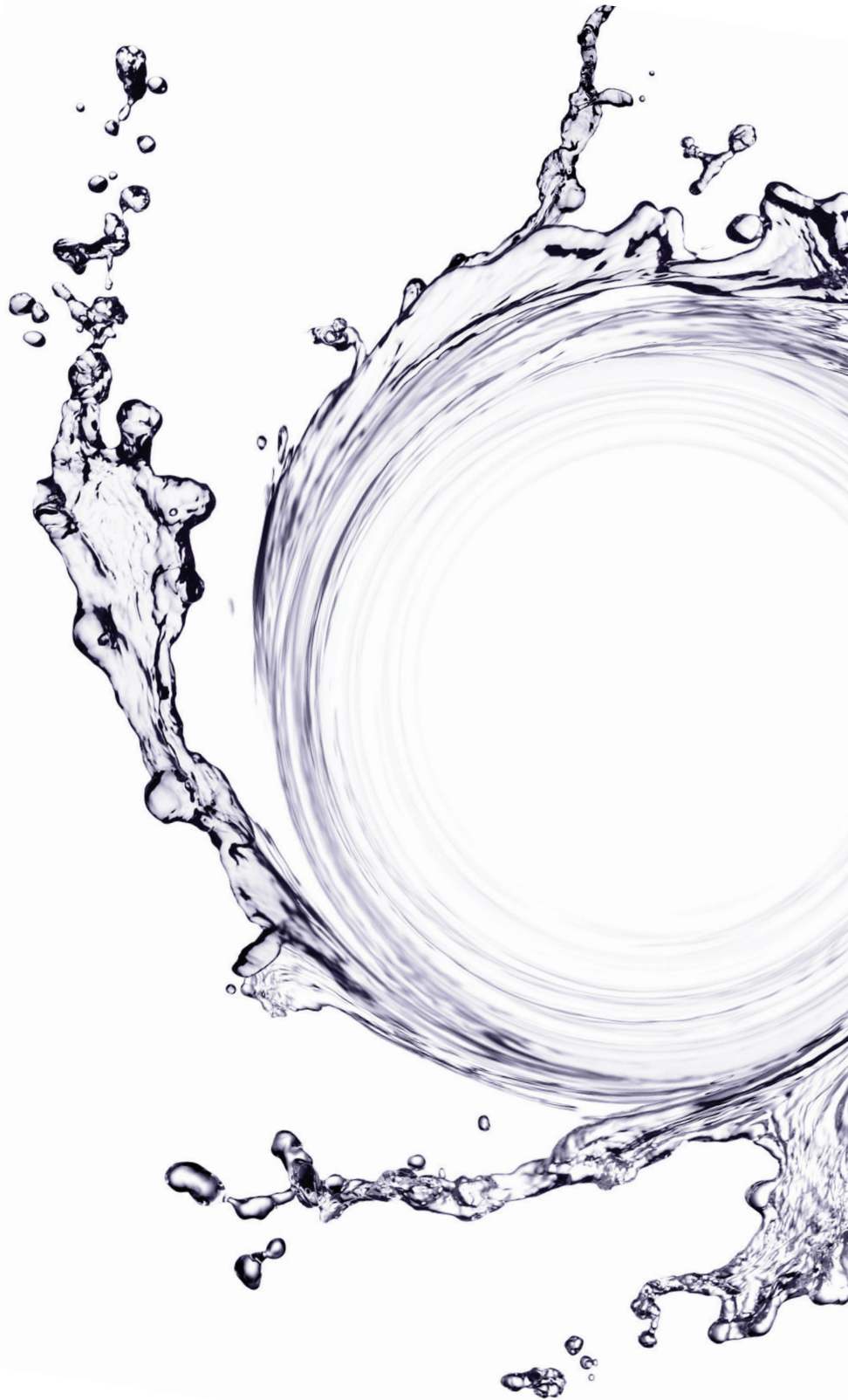


DECORATIVE SPECIALTIES™



CHANNEL DRAINS

To view our full range of products and finishes, visit JACLO.COM or contact your local JACLO dealer.



JACLO
Confidence from start to finish.™

129 Dermody Street, Cranford, NJ 07016
T 800.852.3906 F 800.852.4133
E orders@jaclo.com tech@jaclo.com



Use your smart-phone to quickly access our website, jaclo.com, and view all of our products.

REV-CD-7.12
\$2.00